

Installation:

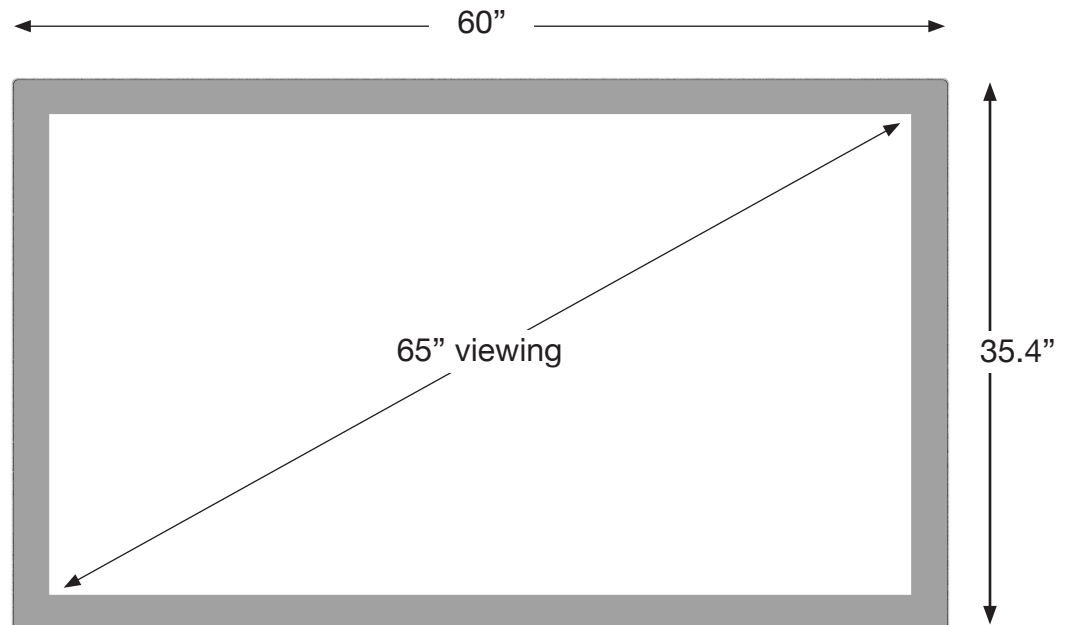
- Review this quick-start guide and familiarize yourself with the monitor.
- Remove the box lid, add brackets, then continue to unpack & mount the monitor on wall or cart.
- Connect video signal & USB touch cables to PC or other appropriate input source.
- Connect power supply to the monitor then plug into AC mains as final step.

Note: The monitor default is to power on when an active video source is connected. This can be changed through the OSD menu.

Monitor Information

- Volanti Display 65" F-line multi-touch 4K resolution monitor. See Input note below.
- Windows 10 point multi-touch, HID compatible so just plug & play, no additional drivers or software required if using Win 8, 10.
- Apple OS-X, single point touch, plug & play. For multi-touch 3rd party driver required.
- Input: Use 4K, Ultra-HD (3840x2160) @60Hz for optimal image quality. Lower resolution input will be scaled to fill the display. The aspect ratio of the display is 16:9, other aspect ratios may result in black bars on the sides, for example a 4:3 image source with result in black bars left & right.

Maintenance: Ensure inside edges of the bezel are not obstructed.



In the Box

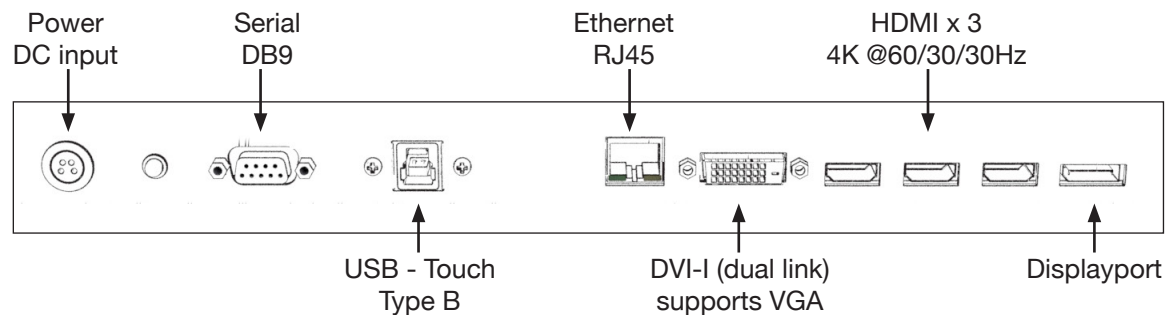
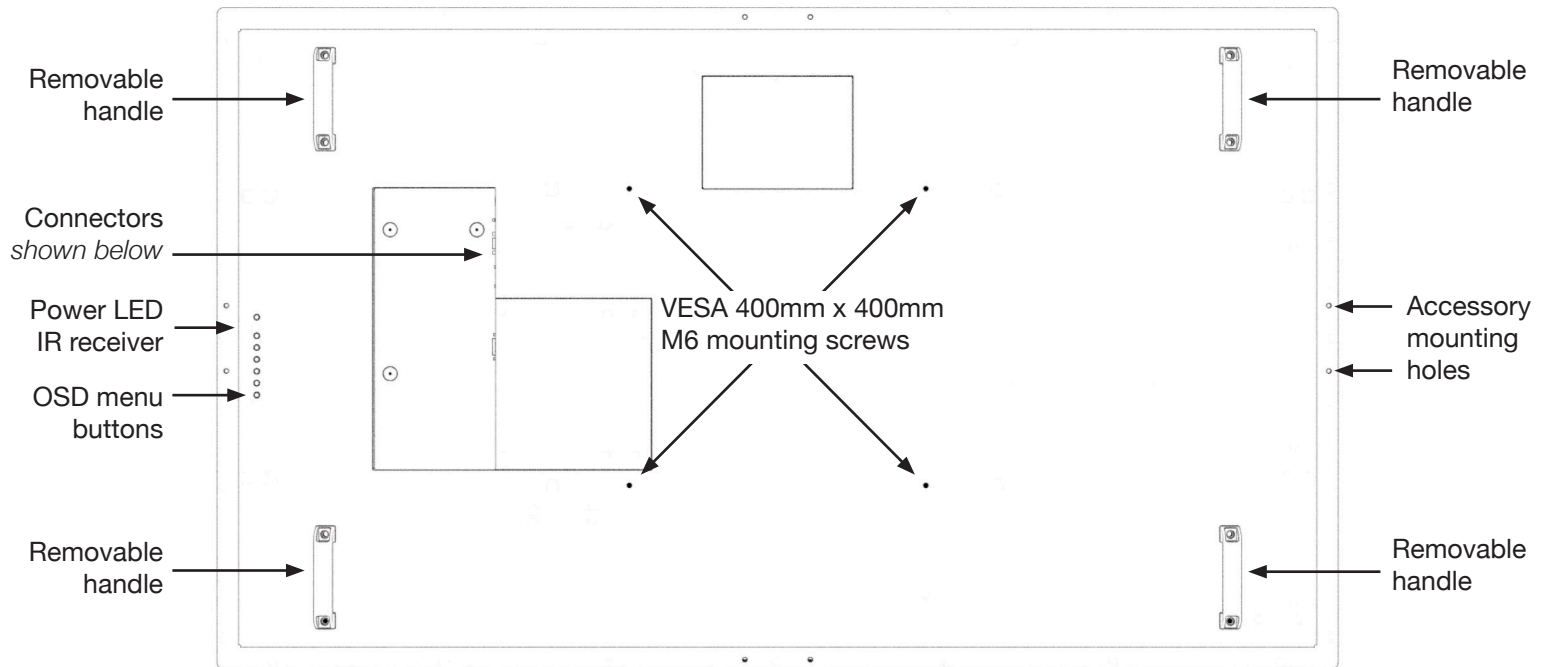
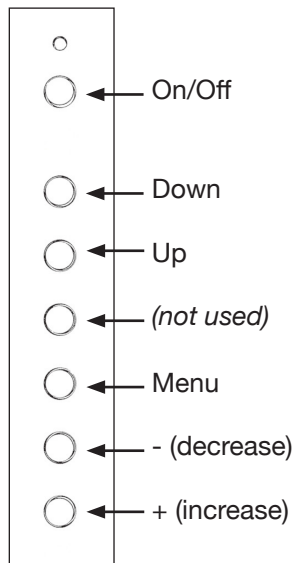
The Volanti 65" F-line touch monitors comes with:

- Volanti 65" F-line touch monitor.
- Remote control (with batteries).
- Power supply and power cord.
- HDMI cable
- USB cable

Quick Start - Back

65" F-line 10point Touch - P/N: VD-6500-0B09-1100

OSD Menu Buttons



Accessory Mounting Holes: On each side there are two threaded mounting holes, these are for mounting accessories such as a camera for web conferencing or a soundbar. Screw size M5, max depth 5mm.

Removable Access Plates: There are a number of access plates on the enclosure. These are for qualified service technicians only and must not be removed.