

Video Wall Utility 2 User Guide

This reference guide explains how to use and setup the Video Wall Utility 2 software.

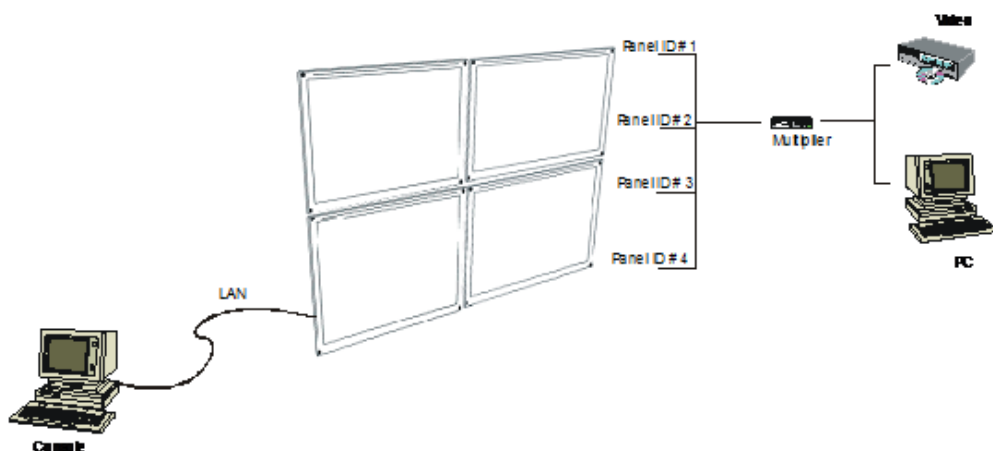
1 Basics

The video wall is made up of M x N identical TFT panels in a matrix of M x N. Each panel has 2 or 3 video input ports. (HDMI, DVI and DP) The customer can input a single video/PC signal source to all panels by using the multiplier (splitter). All the video effects will be controlled by a PC console through network.

What you need ?

- TFT LCD panels (All identical)
- Digital View SVX-1920v3 or SVX-2560 “Video Wall version” controller boards
- RJ-45 CAT-5 cable for panel wall connection
- Video signal source (e.g. DVD player, PC, projector, etc)
- Video Wall Utility 2 software

Basic panel wall connection: (e.g. 2x2)



2 Setup

Video Wall setup

1. Panel ID configuration: (for 2x2 example)

Step 1: Press 'Refresh' to search all the monitor IP addresses and ID's within the same network.

Step 2: Double-click the ID of the IP address to find out the position of monitor in the wall. On the monitor, you will see the ID number flashing and then you will know what wall position is belonging to that ID and IP address.

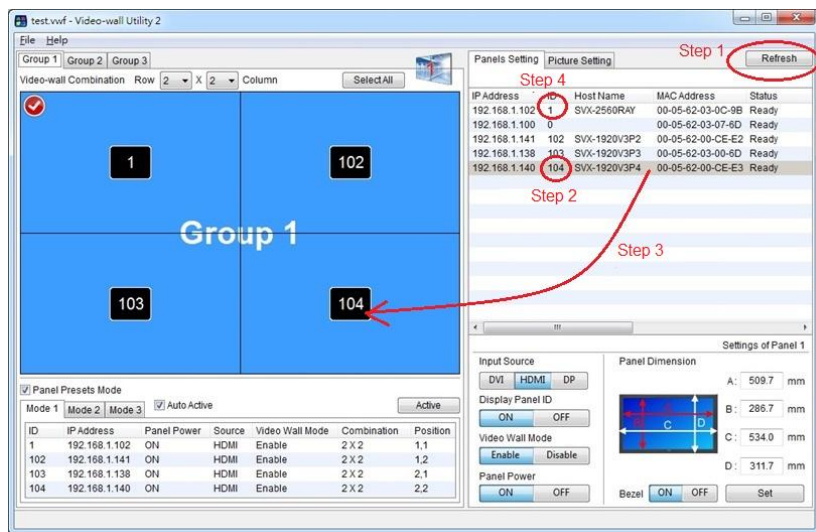
For example: When you double click the monitor that has IP (192.168.1.140) and then you find the lower-right monitor has a number "104" showing and flashing, it means the lower-right monitor has been configured as IP=192.168.1.140 and its ID was preset to "104"

Step 3: In order to tell the "Video Wall Utility 2" software the correct position of monitor, drag the IP address and drop it into the Group 1's windows.

For example: Drag and drop 192.168.1.140 into lower-right screen on Group 1's window.

Step 4: If you want to change the ID, right-click the ID and re-type the new ID number.

For example: Changed the ID "101" to ID "1" on 192.168.1.102



2. Configure the Video Wall Mode

The mode table allows you to see all the wall settings clearly and easy to config the setting on each panel.

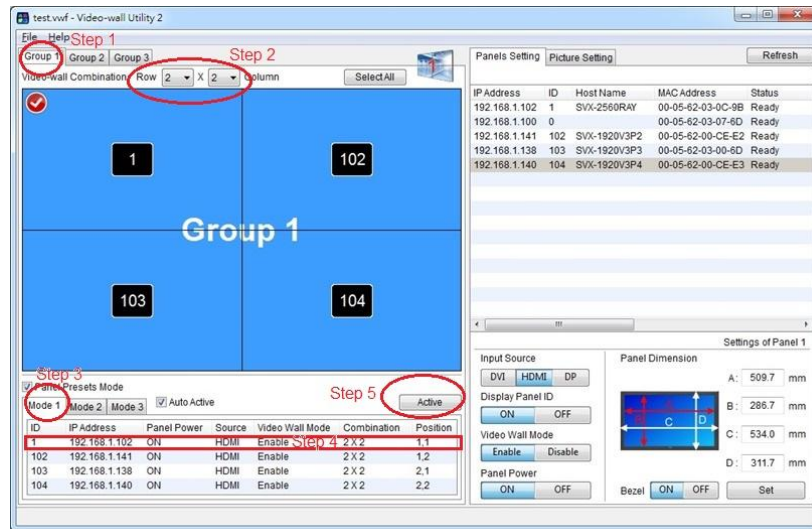
Step 1: Select "Group", or you may double-click it to change the name.

Step 2: Set the Video Wall size by number of Row x number of Column.

Step 3: Select 'Mode' table. This Mode table contains all panel information of current video wall. For example: IP address, Panel ID, Current source, Position, etc

Step 4: If you want to set disable or enable the video wall function on specific panel, point to the panel ID and right-click, then set input source enable/disable.

Step 5: When finish all video wall configuration in the Mode, press **Active** to confirm and save.



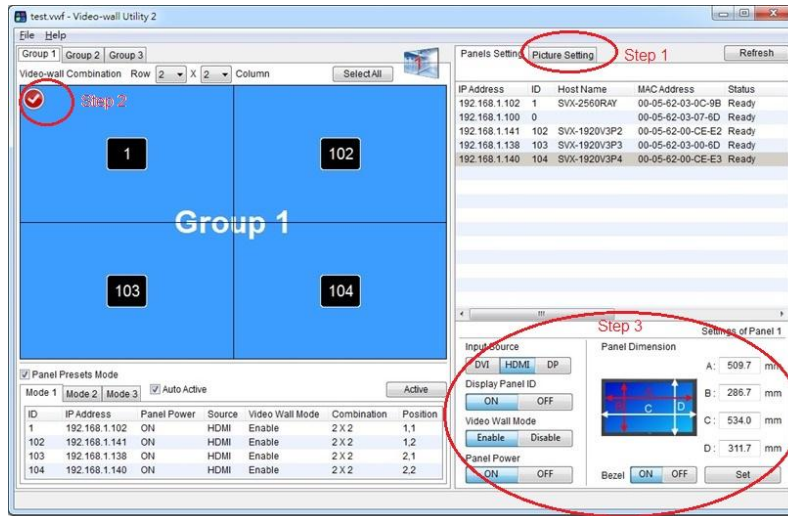
3. Picture Settings

The picture settings include Input source settings, Panel ID on/off, Video Wall mode enable/disable, Panel power on/off, etc

Step 1: If you want to change the picture settings, select Picture Settings.

Step 2: Move the mouse pointer to the top-left corner of panel in Group window, click and select the screen you want to change the picture settings.

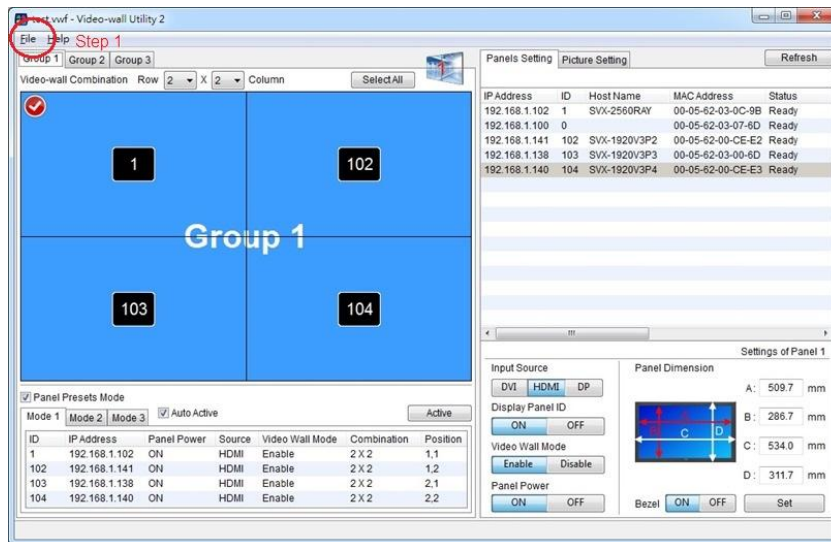
Step 3: Any changes in picture settings will immediately effect on the monitor.



4. Save the Video Wall profile

After you configure or make change the Video Wall configuration, you may store all settings in a file (.vwf).

Step 1: Select "File" can save the current Video Wall settings or press "Open" to load the video wall profile from previous video wall settings.



CONTACT DETAILS

Volanti Displays
18440 Technology Drive, Suite 130
Morgan Hill,
California, 95037
USA

Tel: (1) 408.500.3500

WEBSITE

www.volantidisplays.com

Note: Volanti Displays monitors use display electronics from Digital View and the Video Wall Utility software is provided under license from Digital View - all rights and copyright in the software are retained by Digital View.